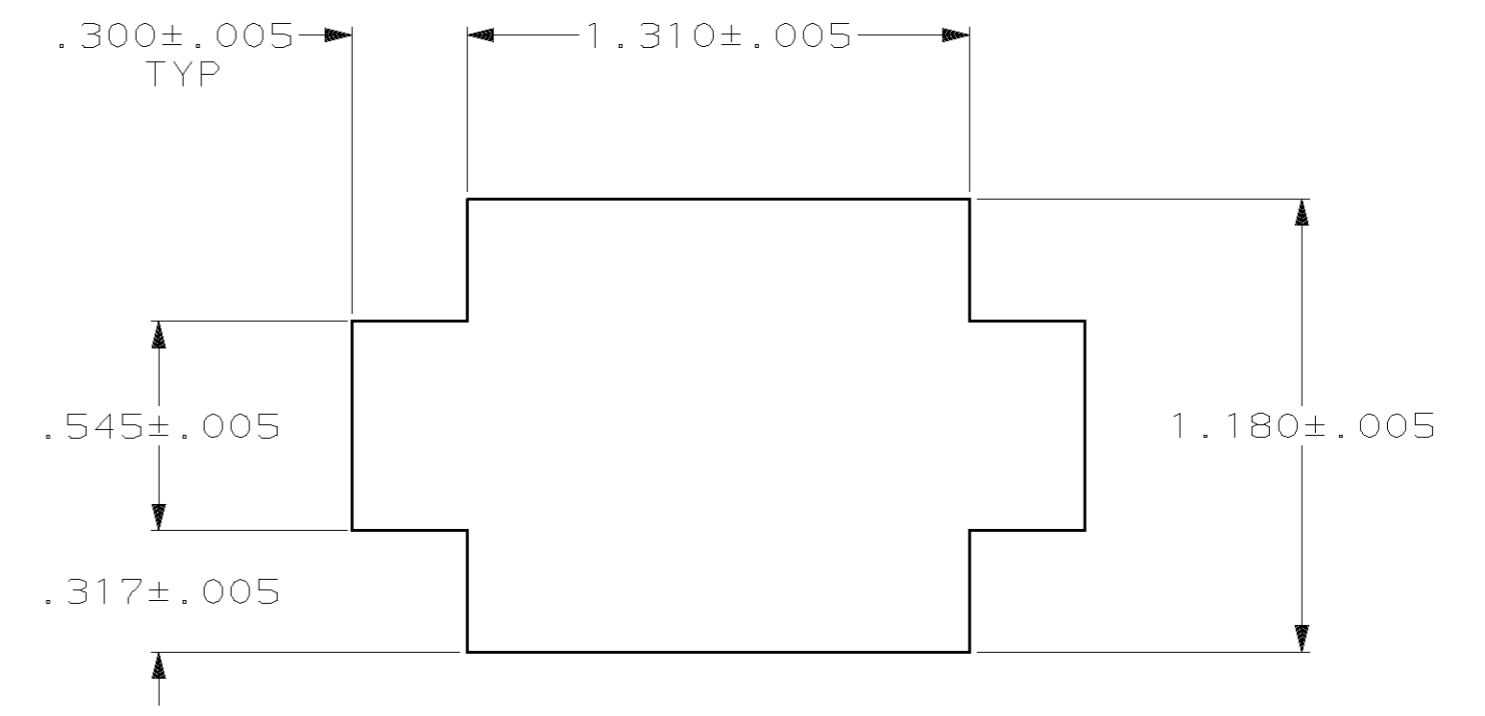
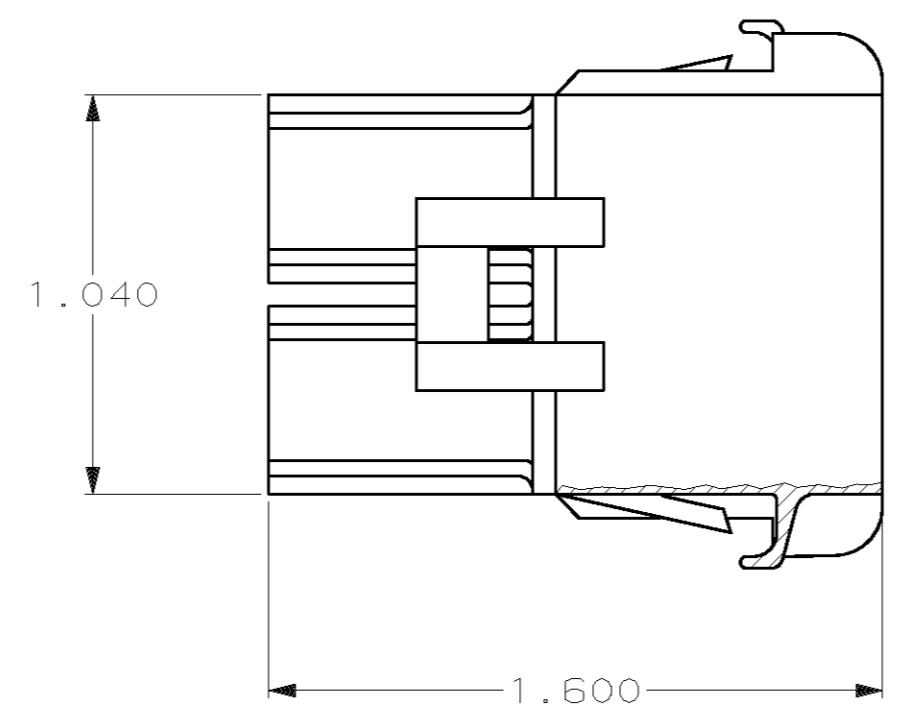
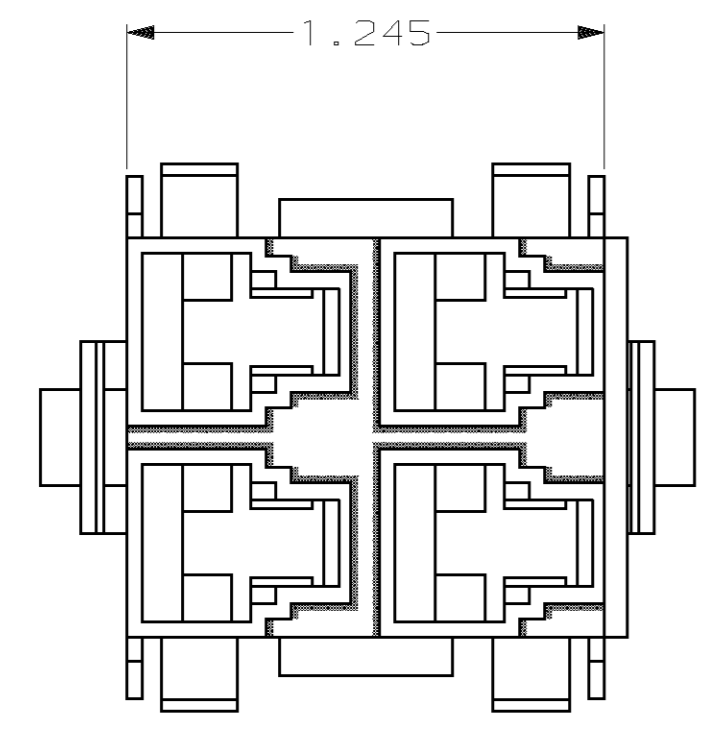
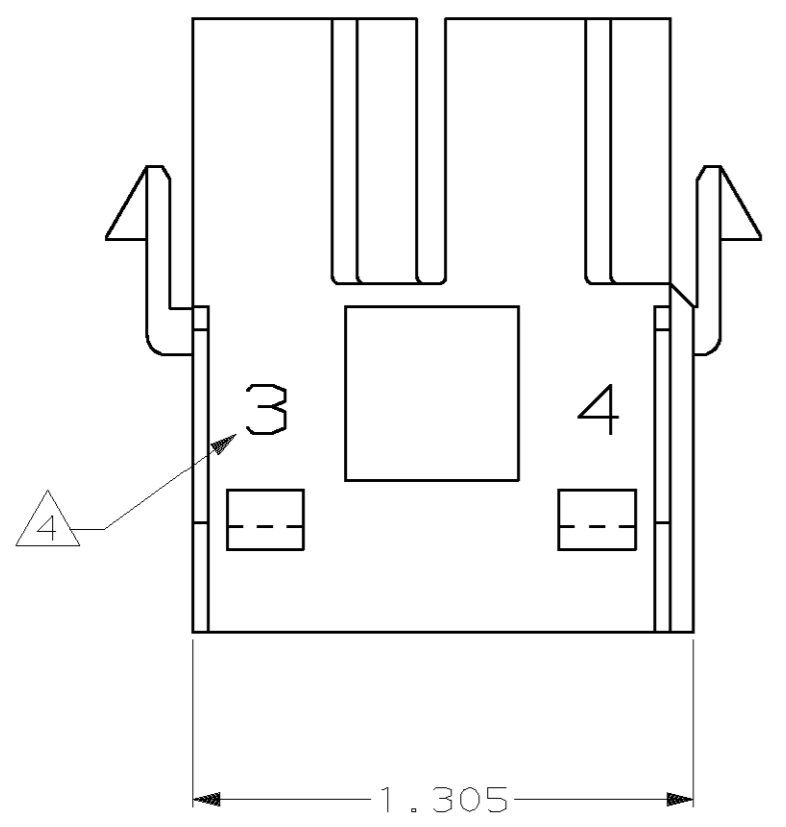


THIS DRAWING IS UNPUBLISHED. RELEASED FOR PUBLICATION .19
 © COPYRIGHT 19 BY AMP INCORPORATED. ALL RIGHTS RESERVED.

LOC		DIST		REVISIONS			
P	LTR	DESCRIPTION	DATE	DWN	APVD		
FT	0						
	H	REV & REDRAWN PER EC 063B-0109-99	04 OCT 99	-	-		



RECOMMENDED PANEL CUT-OUT
 PANEL THICKNESS .040-.093



1. ACCEPTS TERMINALS 350650 & 350651.
 2. MATES WITH HOUSING 643267.
 3. PANEL MUST BE PUNCHED SO THAT THE HOUSING ENTERS THE PANEL IN THE SAME DIRECTION AS THE PUNCH.
- CHARACTERS 3 & 4 MARKED ON NEAR SURFACE AS SHOWN; CHARACTERS 1 & 2 MARKED OPPOSITE SIDE.

OBSELETE		641685-2
	-	641685-1
CIRCUIT IDENTIFICATION		PART NUMBER

THIS DRAWING IS A CONTROLLED DOCUMENT.		DWN S. WELDON 04 OCT 99	AMP Incorporated															
DIMENSIONS: mm		CHK R. BUCHTER 05OCT99	Harrisburg, PA 17105-3608															
TOLERANCES UNLESS OTHERWISE SPECIFIED:		APVD R. BUCHTER 05OCT99	NAME															
<table border="0"> <tr><td>0 PLC</td><td>±-</td></tr> <tr><td>1 PLC</td><td>±-</td></tr> <tr><td>2 PLC</td><td>±-</td></tr> <tr><td>3 PLC</td><td>±.015</td></tr> <tr><td>4 PLC</td><td>±-</td></tr> <tr><td>ANGLES</td><td>±-</td></tr> <tr><td>FINISH</td><td>-</td></tr> </table>		0 PLC	±-	1 PLC	±-	2 PLC	±-	3 PLC	±.015	4 PLC	±-	ANGLES	±-	FINISH	-	PRODUCT SPEC -	PLUG, HIGH CURRENT 4 CIRCUIT	
0 PLC	±-																	
1 PLC	±-																	
2 PLC	±-																	
3 PLC	±.015																	
4 PLC	±-																	
ANGLES	±-																	
FINISH	-																	
MATERIAL NYLON, 94 V-0 RATED COLOR: BRICK RED		APPLICATION SPEC -	SIZE A2	CAGE CODE 00779														
		WEIGHT -	DRAWING NO. C-641685	RESTRICTED TO -														
CUSTOMER DRAWING			SCALE 2:1	SHEET 1 OF 1 REV H														

641685

A